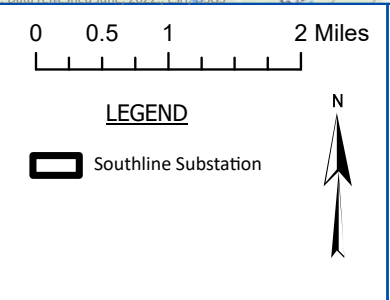
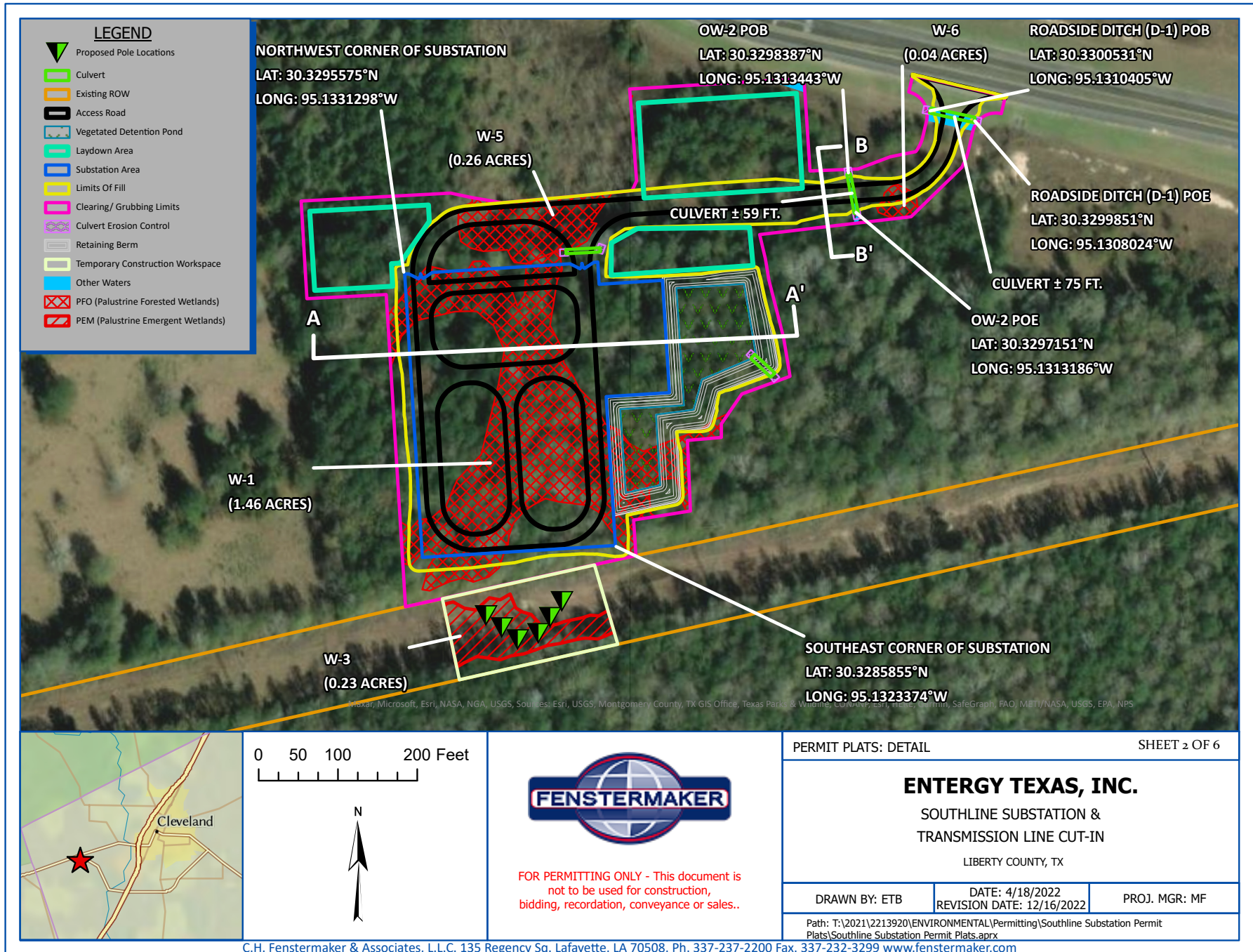


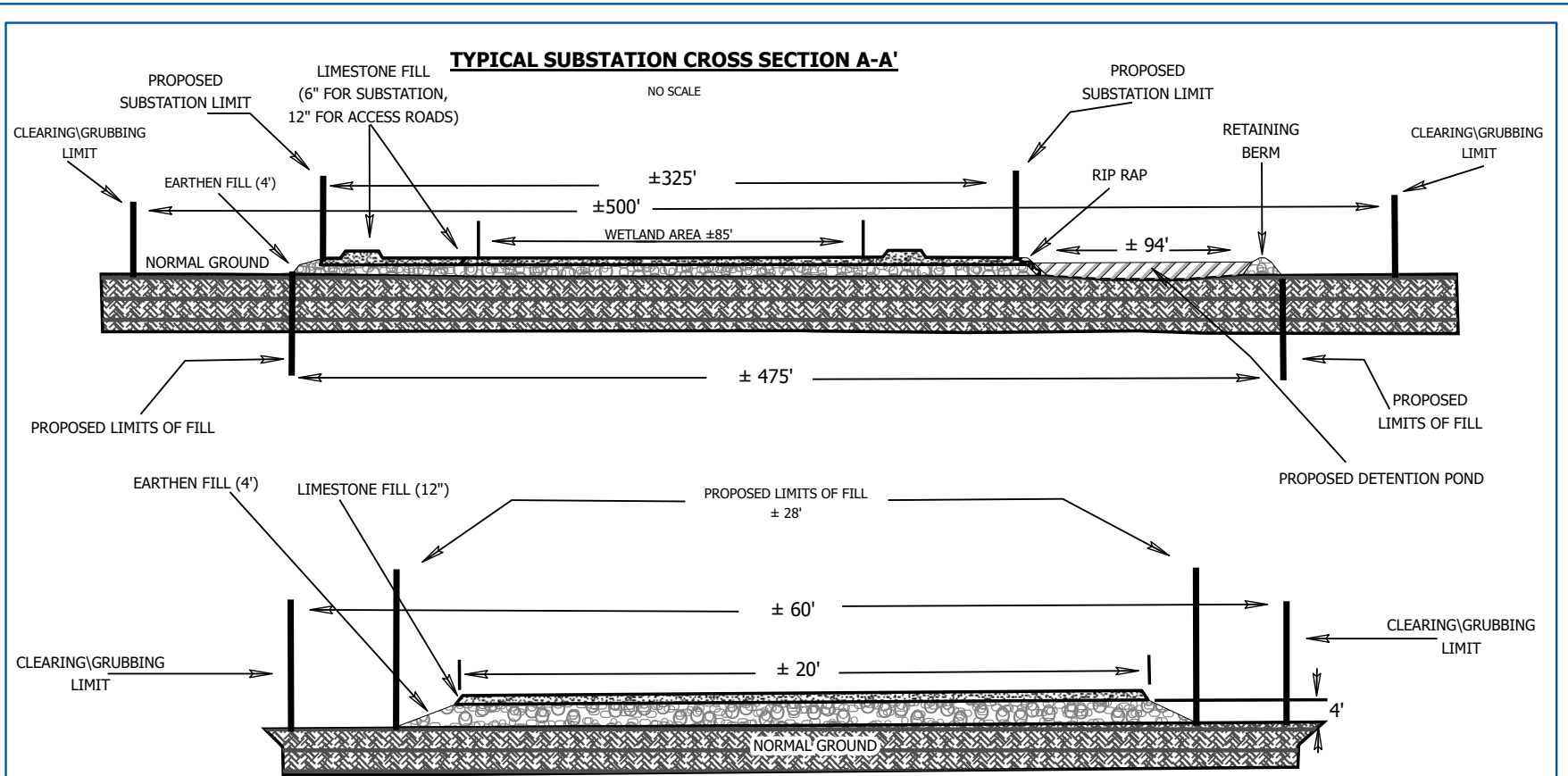
Montgomery County, TX GIS Office, Texas Parks & Wildlife, CONANP, Esri, HERE, Garmin, FAO, NOAA, USGS, EPA, NPS, Sources: Esri, USGS, USGS The National Map, National Boundaries Dataset, 3DEP Elevation Program, Geographic Names Information System, National Hydrography Dataset, National Land Cover Database, National Structures Dataset, and National Transportation Dataset; USGS Global Ecosystems; U.S. Census Bureau TIGER/Line data; USFS Road Data; Natural Earth Data; U.S. Department of State Humanitarian Information Unit; and NOAA National Centers for Environmental Information - U.S. Coastal Relief Model. Data refreshed June 2022. Esri, USGS



FOR PERMITTING ONLY - This document is not to be used for construction, bidding, recordation, conveyance or sales..

| | | |
|---|--|---------------|
| PERMIT PLATS: VICINITY | | SHEET 1 OF 6 |
| ENTERGY TEXAS, INC. SOUTHLINE SUBSTATION & TRANSMISSION LINE CUT-IN LIBERTY COUNTY, TX | | |
| DRAWN BY: ETB | DATE: 4/18/2022 REVISION DATE: 12/16/2022 | PROJ. MGR: MF |
| Path: T:\2021\2213920\ENVIRONMENTAL\Permitting\Southline Substation Permit Plats\Southline Substation Permit Plats.aprx | | |





TYPICAL ACCESS ROAD CROSS SECTION B-B'
NO SCALE

NOT TO SCALE

TYPICAL
CROSS-SECTION



FOR PERMITTING ONLY - This document is not to be used for construction, bidding, recordation, conveyance or sales.

PERMIT PLATS: CROSS SECTIONS

SHEET 3 OF 6

ENTERGY TEXAS, INC.

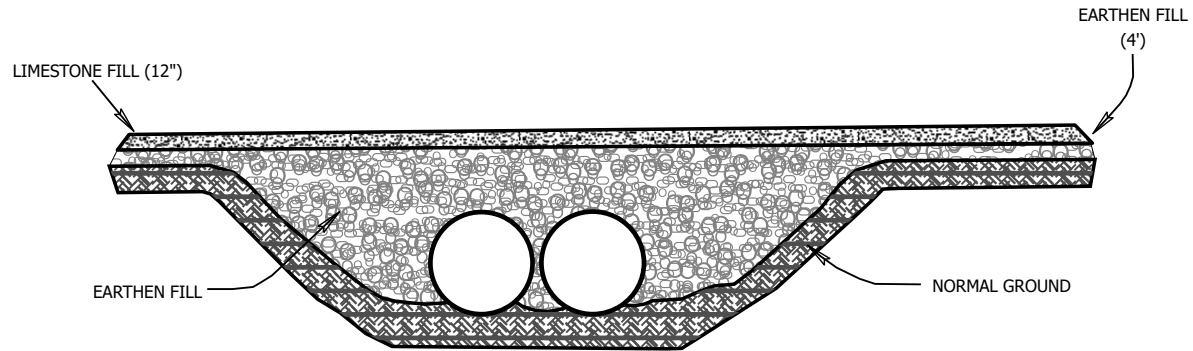
SOUTHLINE SUBSTATION &
TRANSMISSION LINE CUT-IN
LIBERTY COUNTY, TX

DRAWN BY: ETB

DATE: 4/18/2022
REVISION DATE: 12/16/2022

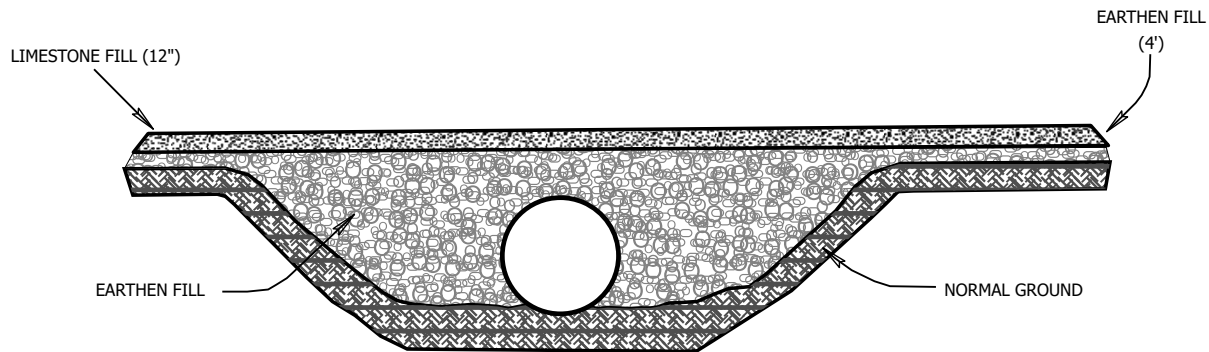
PROJ. MGR: MF

Path: T:\2021\2213920\ENVIRONMENTAL\Permitting\Southline Substation Permit Plats\Southline Substation Permit Plats.aprx



TYPICAL DOUBLE CULVERT INSTALLATION

NO SCALE



TYPICAL SINGLE CULVERT INSTALLATION

NO SCALE

NOT TO SCALE

TYPICAL
CULVERT



FOR PERMITTING ONLY - This document is not to be used for construction, bidding, recordation, conveyance or sales.

PERMIT PLATS: CROSS SECTIONS

SHEET 4 OF 6

ENTERGY TEXAS INC.

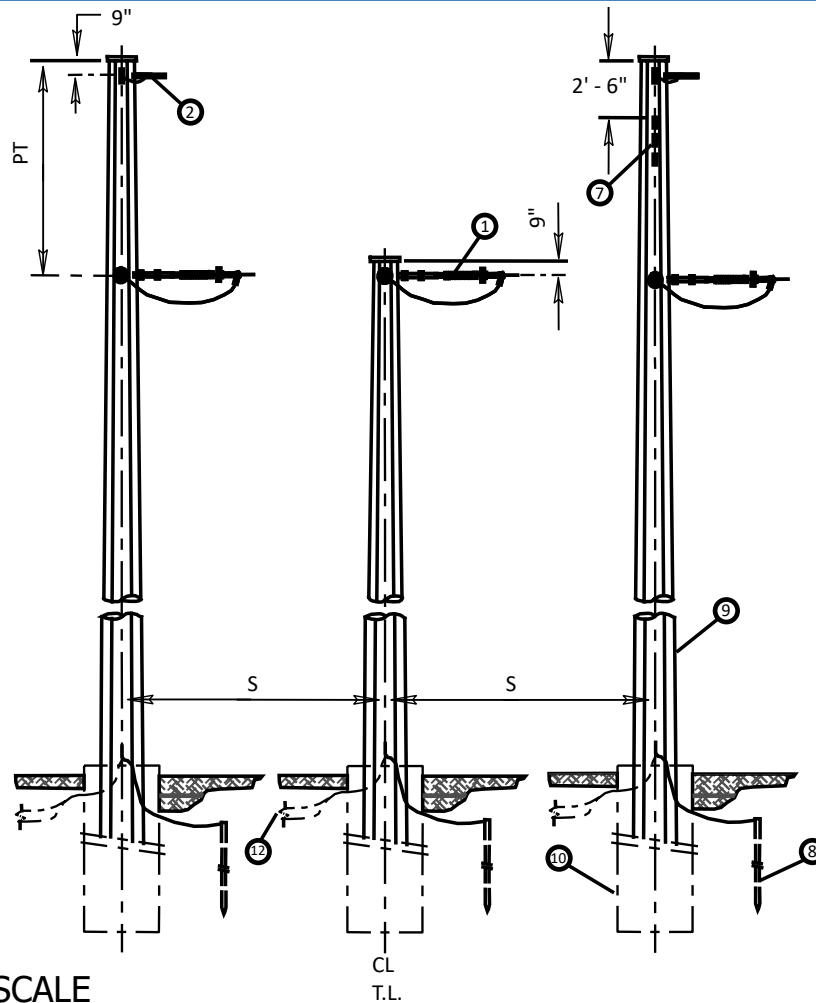
SOUTHLINE SUBSTATION &
 TRANSMISSION LINE CUT-IN
 LIBERTY COUNTY, TX

DRAWN BY: ETB

DATE: 4/18/2022
 REVISION DATE: 12/16/2022

PROJ. MGR: MF

Path: T:\2021\2213920\ENVIRONMENTAL\Permitting\Southline Substation Permit Plats\Southline Substation Permit Plats.aprx



TYPICAL POLE STRUCTURE IN PROPOSED ROW

NO SCALE

70'-120', SELF SUPPORTED, DE, 3-POLE, NO GUYS
SINGLE CIRCUIT, DEADEND POLYMER, STEEL

| ASSEMBLY LIST | | |
|--------------------|------|------------------------|
| ITEM | QTY. | ASSEMBLY/DRAWING |
| 1 | 6 | INSUL (SEE TABLE 1) |
| 2 | 4 | OHG-DE-XX |
| REFERENCE DRAWINGS | | |
| 7 | 1 | SGN-S |
| 8 | - | GND-S-XX |
| 9 | - | SEE MFR. DWG. |
| 10 | 3 | FOUNDATION TYPE T.B.D. |
| 11 | - | PVO-SHT11, VIEW PV-44 |
| 12 | - | ANODE-XX (IF REQ.) |

| VARIABLE DIMENSIONS & REF. DRAWINGS | | | |
|-------------------------------------|---------------|----------------|----------------|
| | 69 kV | 161 kV | 230 kV |
| PT | 10'-6" | 13'-0" | 15'-0" |
| S | 20'-0" | 25'-0" | 30'-0" |
| INSUL | DEP/TRB-69-XX | DEP/TRB-161-XX | DEP/TRB-230-XX |

NOT TO SCALE

NOTE: STRUCTURE IS TYPICAL, CONFIGURATION AND HARDWARE MAY VARY

**TYPICAL
STRUCTURE**



FOR PERMITTING ONLY - This document is not to be used for construction, bidding, recordation, conveyance or sales.

PERMIT PLATS: TYPICAL DRAWINGS

SHEET 5 OF 6

ENTERGY TEXAS, INC.

SOUTHLINE SUBSTATION &
TRANSMISSION LINE CUT-IN
LIBERTY COUNTY, TX

| | | |
|---------------|--|---------------|
| DRAWN BY: ETB | DATE: 4/18/2022 REVISION DATE: 12/16/2022 | PROJ. MGR: MF |
|---------------|--|---------------|

Path: T:\2021\2213920\ENVIRONMENTAL\Permitting\Southline Substation Permit Plats\Southline Substation Permit Plats.aprx

NOTES:

IN ORDER TO ENSURE THE SAFETY OF ALL PARTIES, THE PERMITEE SHALL CONTACT THE TEXAS ONE CALL SYSTEM (1-800-344-8377). A MINIMUM OF 48 HOURS PRIOR TO THE COMMENCEMENT OF ANY EXCAVATION (DIGGING, DREDGING, JETTING, ETC.) OR DEMOLITION ACTIVITY.

THE PERMITEE SHALL ALSO CONTACT OTHER GOVERNMENTAL ENTITIES THAT MAY HAVE OPTED OUT OF THE ONE CALL PROGRAM . THESE GOVERNMENTAL ENTITIES MAY HAVE OPERATIONS LOCATED IN THE AREA OF THIS PROJECT.

NO SURVEY DATA WAS COLLECTED IN THE PREPARATION OF THESE PLANS. INFORMATION USED TO PREPARE THESE PLANS WAS GATHERED FROM THE FOLLOWING SOURCES; CLIENT INFORMATION, INTERNET OR GOVERNMENT WEB SITE DATA.

APPLICANT IS SUBJECT TO ALL APPLICABLE STATE LAWS RELATED TO DAMAGES WHICH ARE DEMONSTRATED TO HAVE BEEN CAUSED BY THIS PROPOSED ACTION.

CALCULATIONS:

| | |
|---|---------------------------|
| TOTAL CLEARING/GRUBBING LIMITS AREA: | 6.22 ACRES |
| TOTAL LIMITS OF FILL AREA: | 4.29 ACRES |
| TOTAL ACCESS ROAD AREA: | 1.14 ACRES |
| TOTAL LIMITS OF SUBSTATION AREA: | 2.26 ACRES |
| TOTAL VEGETATED DETENTION POND AREA: | 0.35 ACRES |
| TOTAL RETAINING BERM AREA: | 0.42 ACRES |
| | |
| TOTAL LINEAR FEET OF STREAM IMPACTS FROM CULVERTS: | 134 FEET |
| | |
| TOTAL EXCAVATION FOR POLE INSTALLATION: | 188.5 CU YDS. (6 POLES) |
| | |
| TEMORARY IMPACTS IN PEM WETLANDS FROM TEMPORARY CONSTRUCTION WORKSPACE | 0.23 ACRES |
| TOTAL LOSS OF WETLAND FUNCTIONS IN PEM WETLANDS: | 0.004 ACRES |
| TOTAL LOSS OF WETLAND FUNCTIONS IN PFO WETLANDS: | 1.63 ACRES |
| CONVERSION IMPACTS IN PFO WETLANDS FROM VEGETATED DETENTION POND: | 0.05 ACRES |
| CONVERSION IMPACTS IN PFO WETLANDS FROM CLEARING/GRUBBING: | 0.13 ACRES |
| TEMPORARY IMPACTS TO STREAMS (D-1, OW-2): | 0.03 ACRES |
| | |
| TOTAL FILL IN PEM WETLANDS FROM POLE INSTALLATION: | 125.67 CU. YDS. (4 POLES) |
| TOTAL LIMESTONE FILL IN PFO WETLAND FROM ACCESS ROAD: | 726 CU. YDS. |
| TOTAL EARTHEN FILL IN PFO WETLAND FROM ACCESS ROAD: | 2,904 CU. YDS. |
| TOTAL LIMESTONE FILL IN PFO WETLANDS FROM SUBSTATION: | 888.95 CU.YDS. |
| TOTAL EARTHEN FILL IN PFO WETLANDS FROM SUBSTATION: | 7,111.57 CU. YDS. |
| TOTAL EARTHEN FILL IN PFO WETLANDS FROM RETAINING BERM: | 580.8 CU. YDS. |
| TOTAL FILL IN OTHER WATERS FROM PROPOSED CULVERTS & EROSION PROTECTION: | 32.2 CU. YDS. |
| | |
| SOUTHLINE SUBSTATION ROCK AND EARTHEN FILL: | |
| | |
| TOTAL LIMESTONE FILL FOR SUBSTATION AND ACCESS ROAD: | 3,460.5 CU. YDS. |
| TOTAL EARTHEN FILL FOR SUBSTATION AND ACCESS ROAD: | 27,393.9 CU. YDS |

NOTES & CALCULATIONS



FOR PERMITTING ONLY - This document is not to be used for construction, bidding, recordation, conveyance or sales.

PERMIT PLATS: NOTES

SHEET 6 OF 6

ENTERGY TEXAS, INC.

SOUTHLINE SUBSTATION &
TRANSMISSION LINE CUT-IN

LIBERTY COUNTY, TX

DRAWN BY: ETB

DATE: 4/18/2022
REVISION DATE: 12/16/2022

PROJ. MGR: MF

Path: T:\2021\2213920\ENVIRONMENTAL\Permitting\Southline Substation Permit Plats\Southline Substation Permit Plats.aprx